



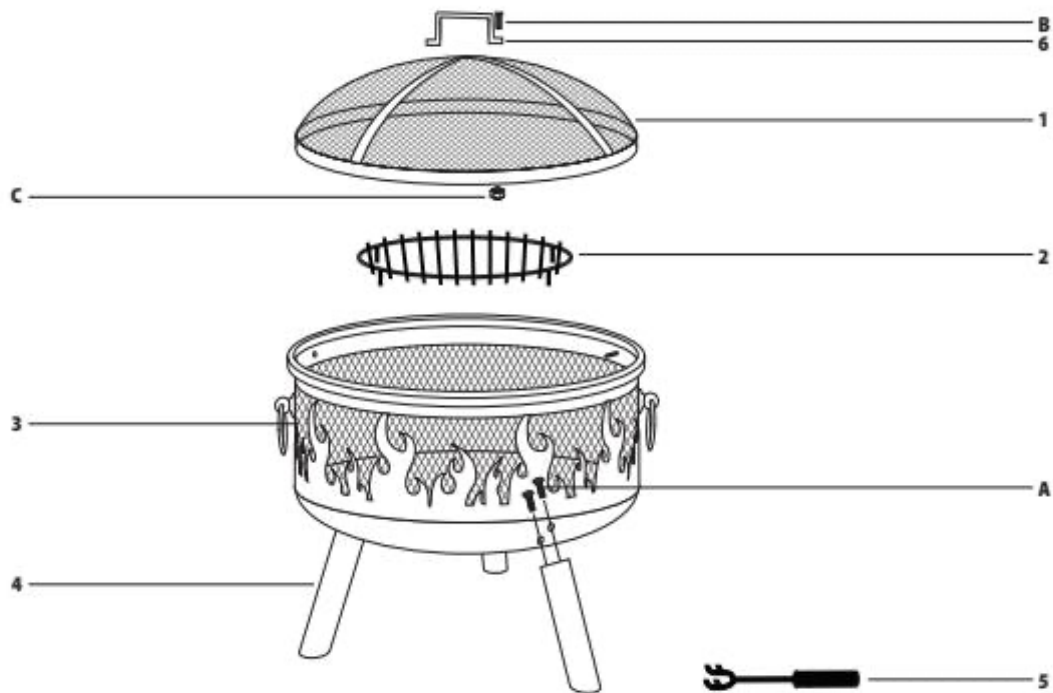
FIREPIT

HORNSET



MANUAL

Part list:



STEP 1 - Attach the legs (4) to the outside (3) of the fire bowl and use the screws (2 x A) through the inside of the bowl.

STEP 2 - Place the fire grate (2) in the fire bowl.

STEP 3 - Connect the handle (6) to the spark arrestor cover (1) using the bolts (2 x B) and nuts (2 x C).