



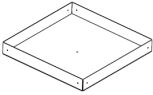
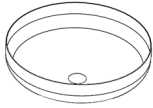
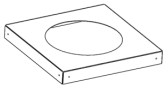
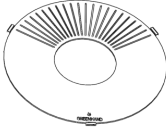
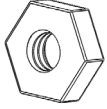
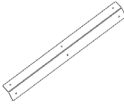
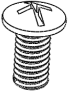
---

PLANCHA COOK UNIT  
**BÅKKA**

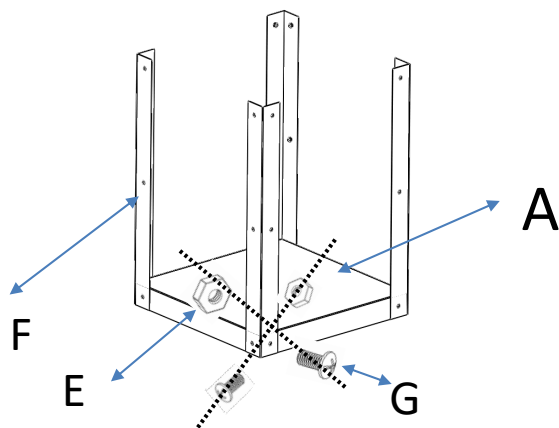


**MANUAL**

---

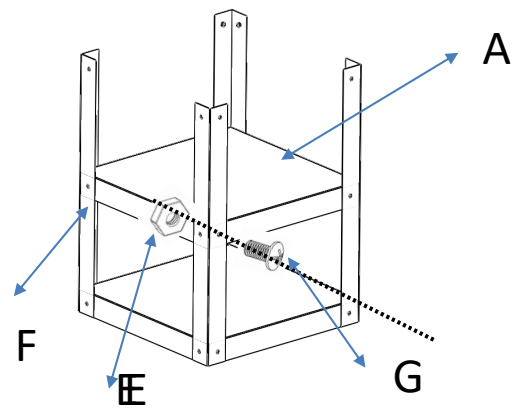
Part	Quantity	Description	Photo	Part	Quantity	Description	Photo
A	2	Bottom and middle shelf		B	1	fire bowl	
C	1	base		D	1	grill ring	
E	24	nut		F	4	Legs	
G	24	Screw					

**Step 1**



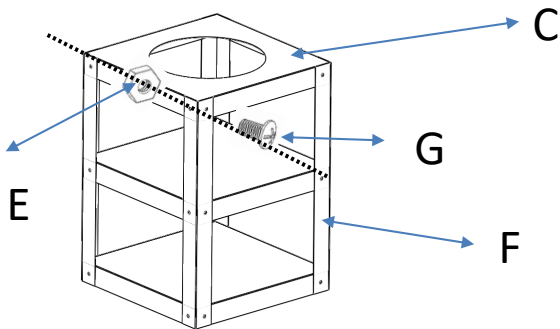
Connect the legs (F) and the bottom shelf (A) with 8pcs screws (G) and 8pcs nuts(E)

**Step 2**

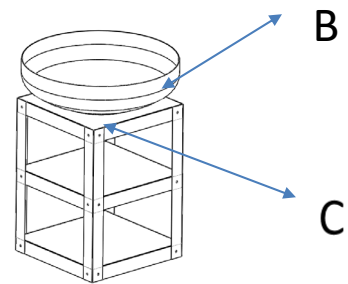


Connect the legs (F) and the middle shelf (A) with 8pcs screws (G) and 8pcs nuts(E)

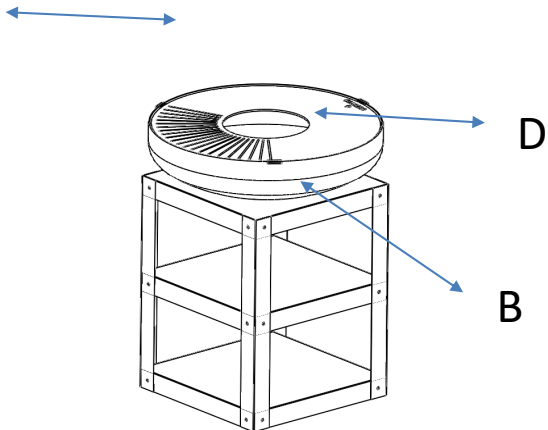
**Step 3**



Connect the legs (F) and the base (C) with 8pcs screws (G) and 8pcs nuts(E)



Put the fire bowl (B) on the base (C)



Put the grill ring (D) on the fire bowl (B).  
Now it is finished ,you can enjoy it .