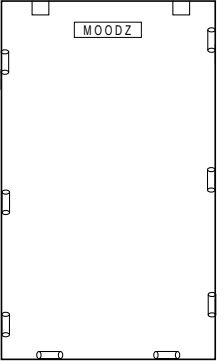
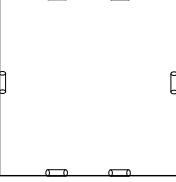
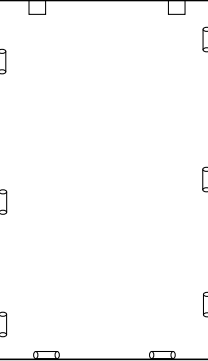
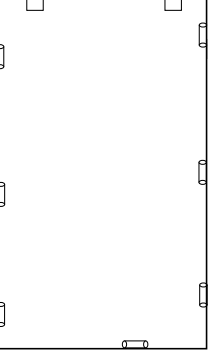
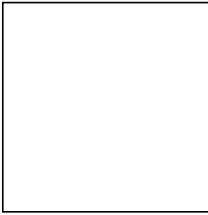
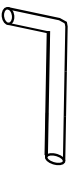


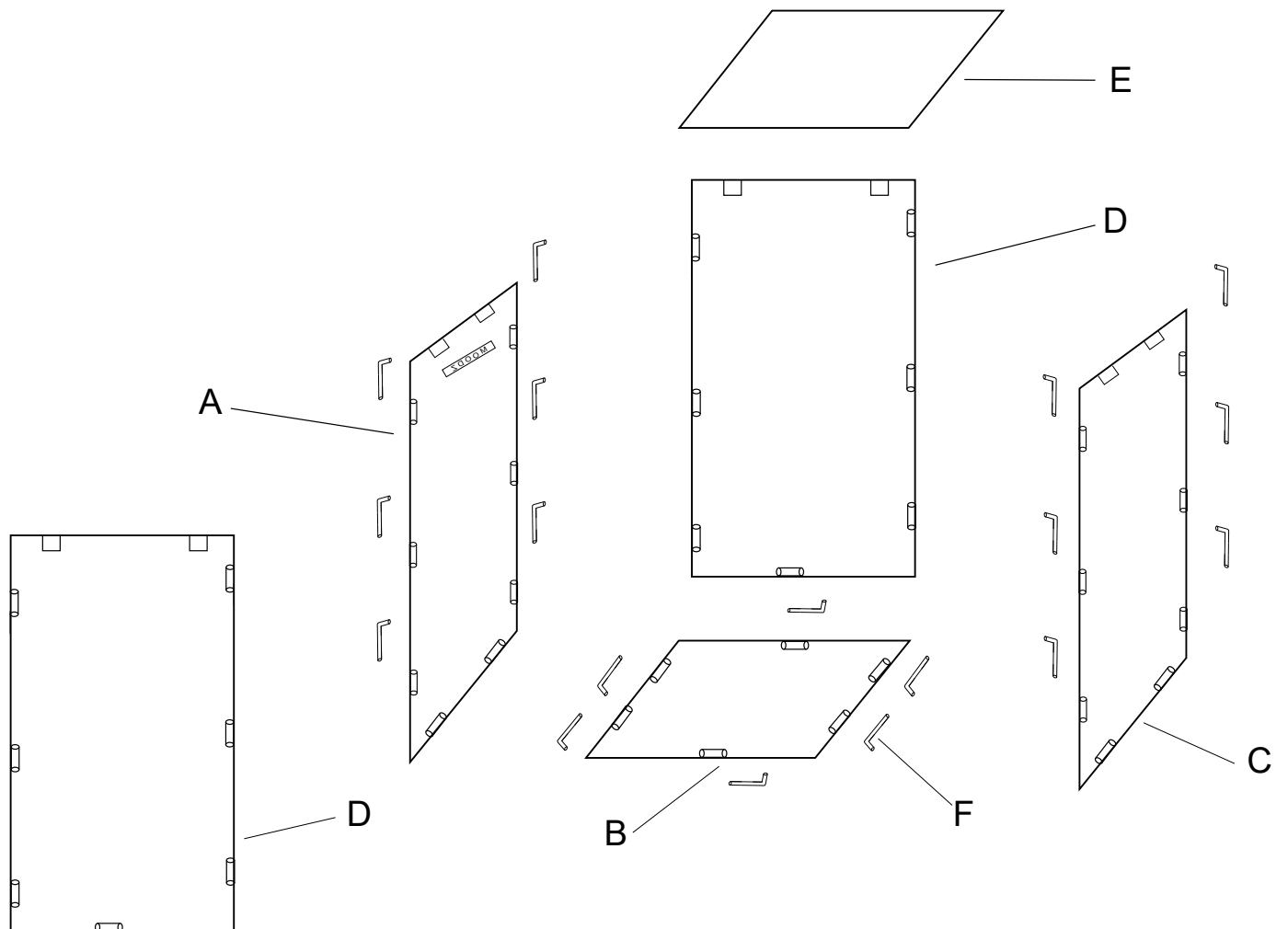
O U T D O O R L I V I N G

BASE CORTENSTEEL

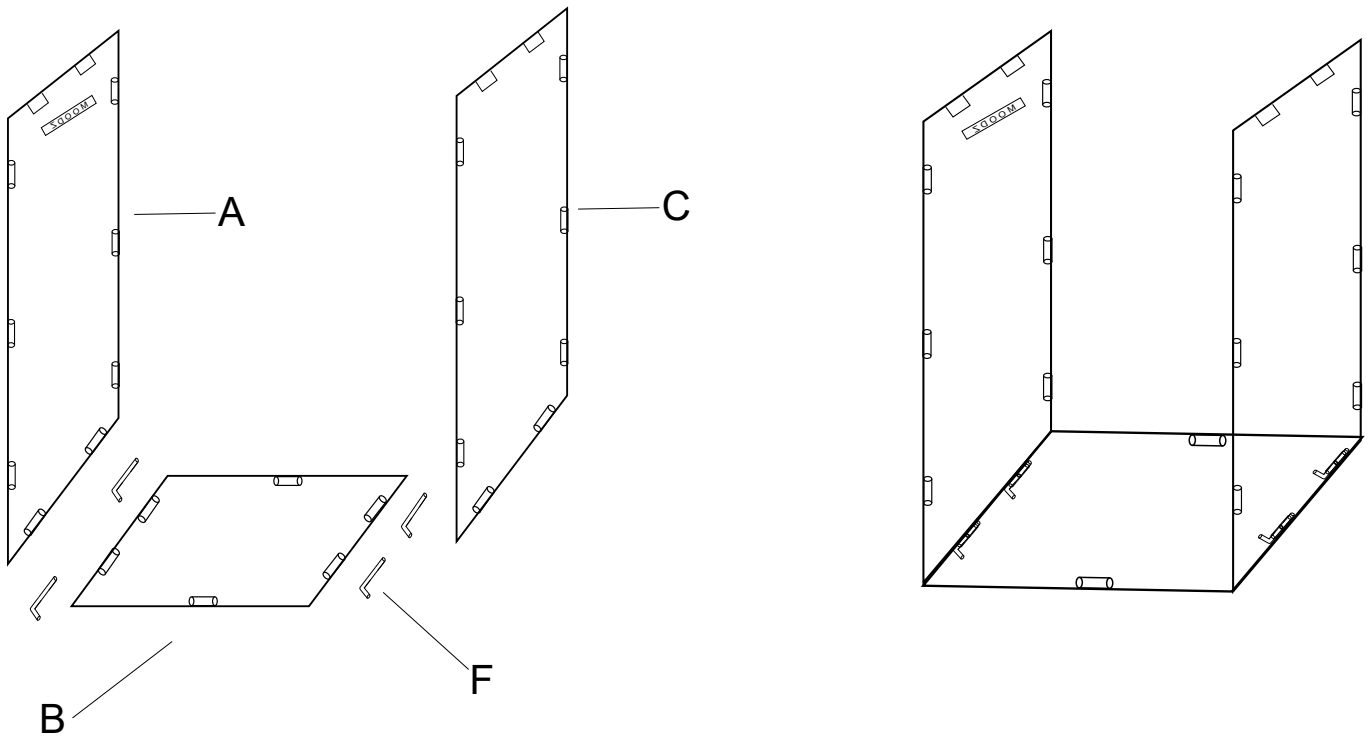


MANUAL

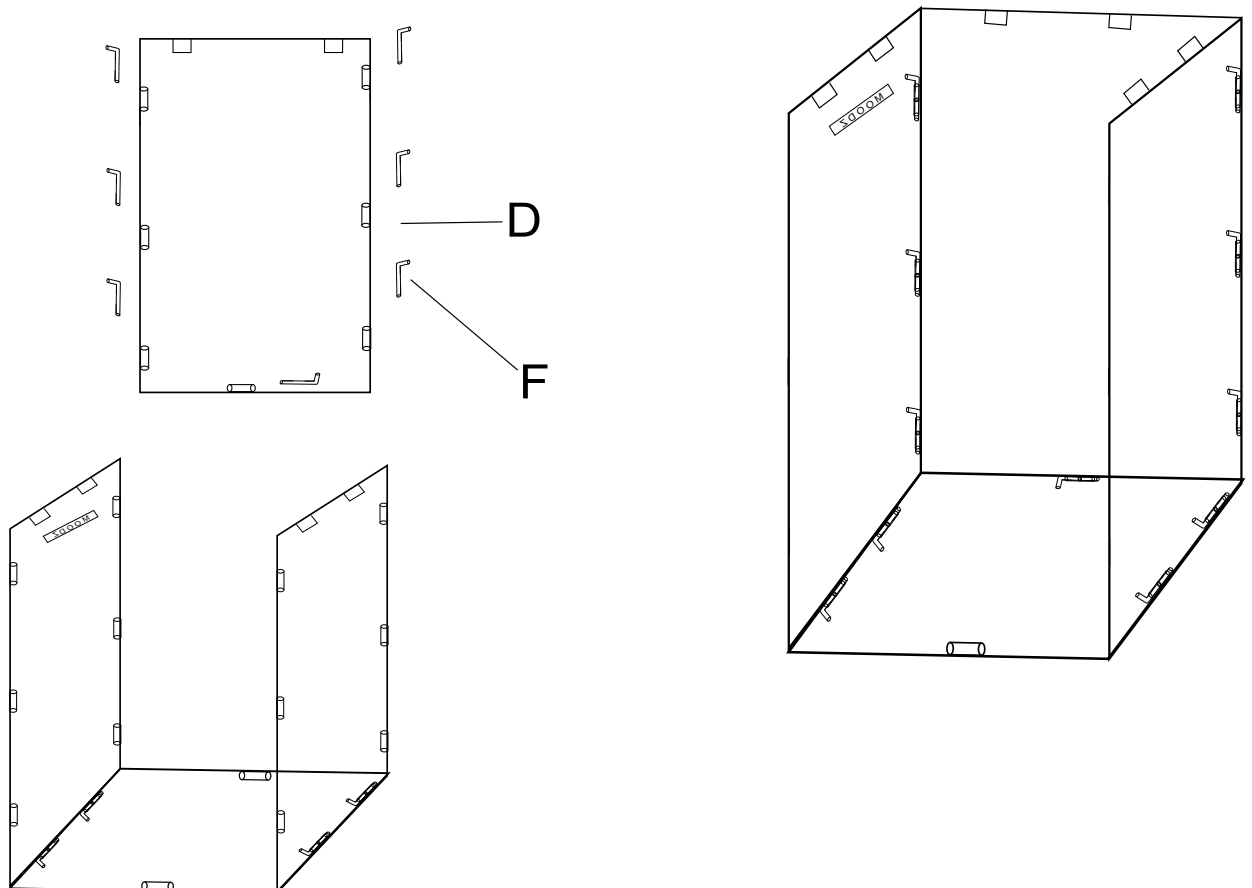
 <p>A 1pc Logo front plate</p>	 <p>B 1pc Bottom plate</p>	 <p>C 1pc Back plate</p>	 <p>D 2pcs Left/right plate</p>
 <p>E 1pc Cover plate</p>	 <p>F 18pcs 7-word bolt</p>		



Step 1:



Step 2:



Step 3:

